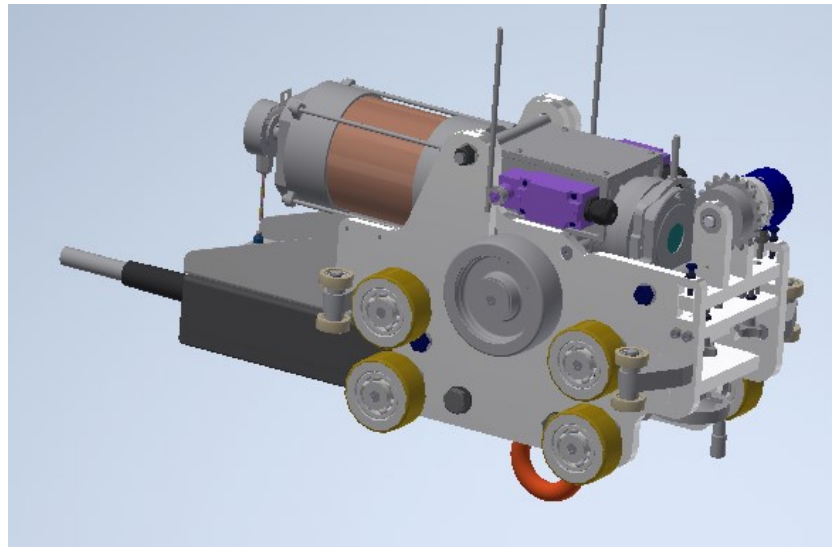
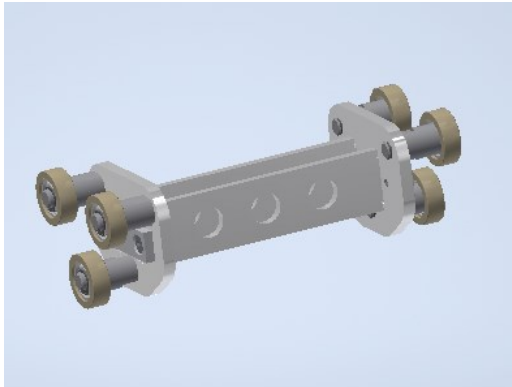


MOVECAT VMT Trolley System

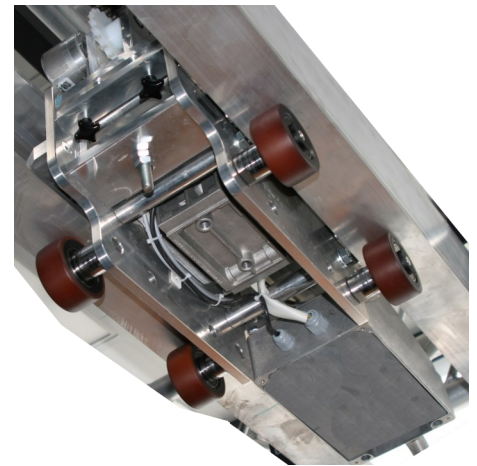
According
DGUV V17 and DIN 56950

Trolley for horizontal movements

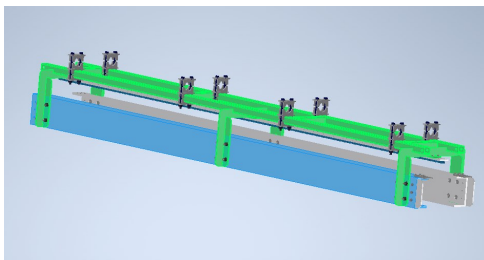
Cabletrolley



Frame
in track



Track



TECHNICAL DATA	Motorized Trolley
Trailing Load	750 kg
Speed	0,1 m/sec
Motor Power	1,5 kW
Positioning Accuracy	+/- 1 mm
Duty Time	40 %
Brakes	1
Weight	50 kg
Connection	By PMC-HV to V-Motion
Limit Switches	Mechanical, 2 Track
Track Shape	U-Shape
Encoder-Track	By Chain
Distance of Axes for fixing	0,29 m
Compatible to	H30V / HD34 / XD etc.